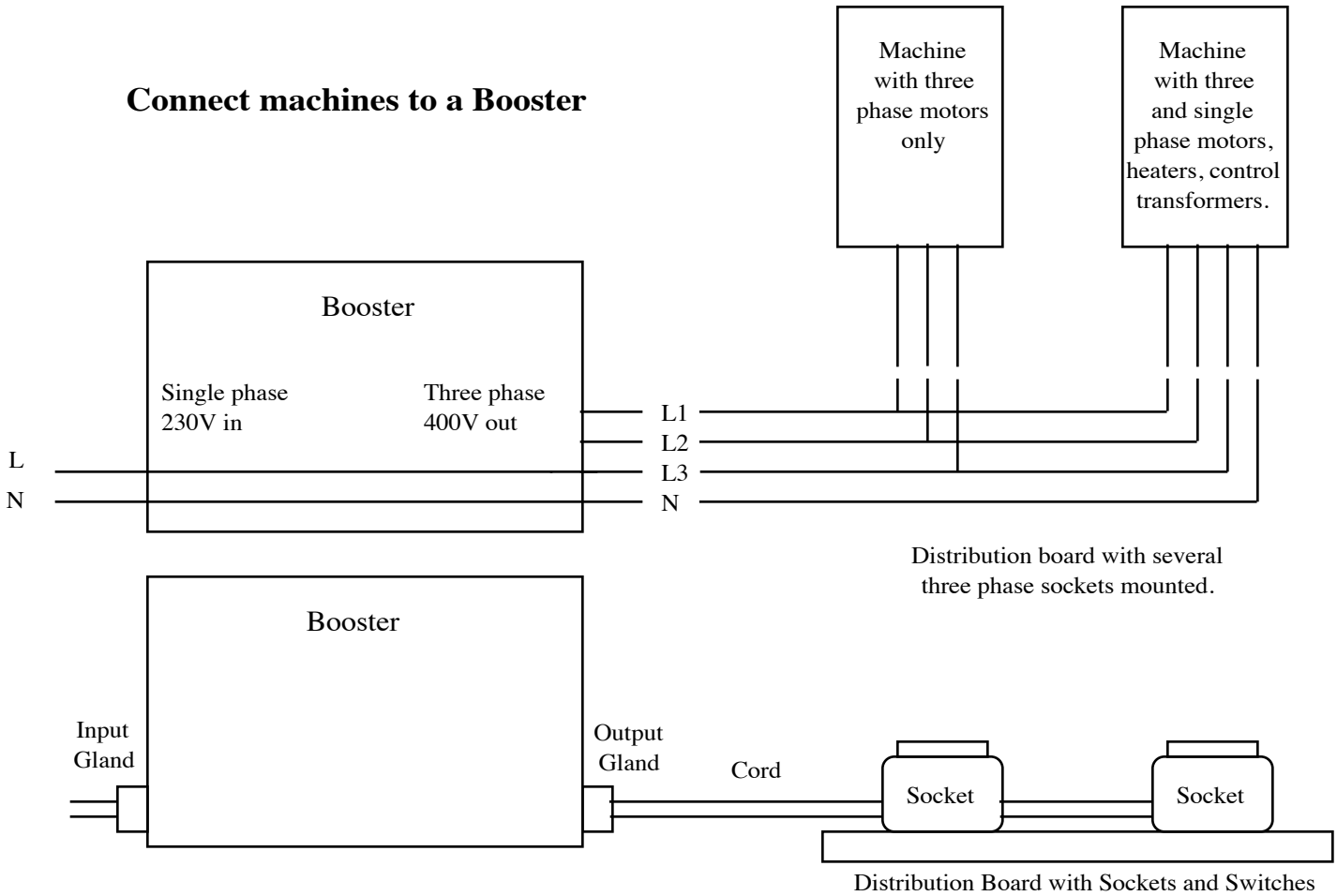


### Connect machines to a Booster



Machines with internal single phase heater elements, single phase motors and other single phase loads:  
 Make sure all single phase loads are connected between L3 and Neutral.  
 Never connect single phase loads to Booster output L1 or L2.

